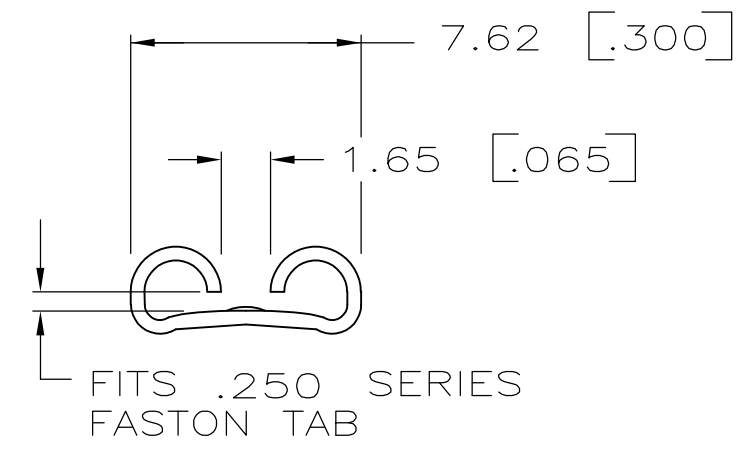
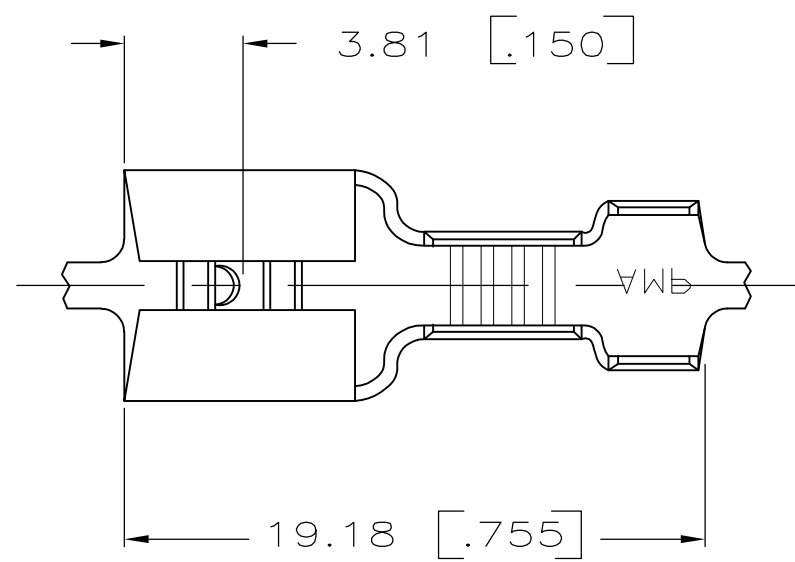


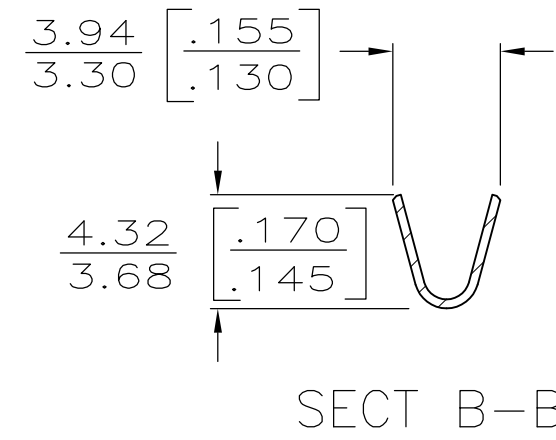
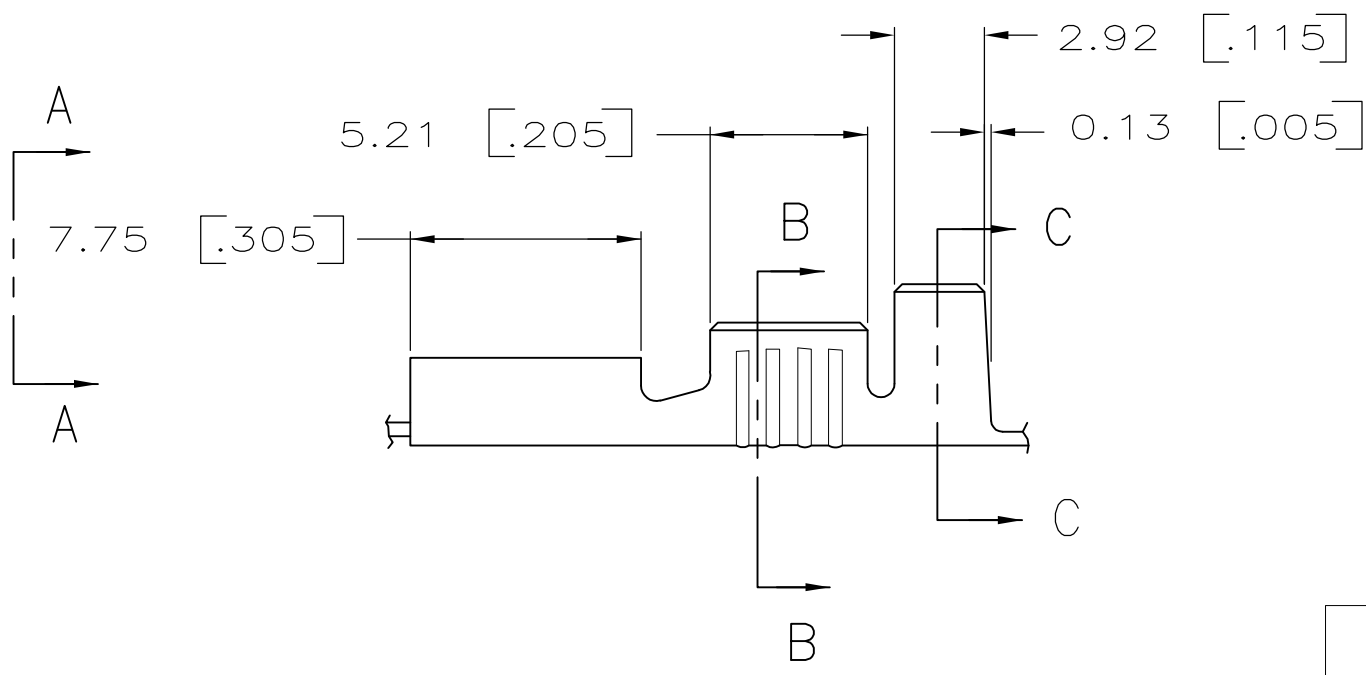
THIS DRAWING IS UNPUBLISHED. RELEASED FOR PUBLICATION  
 © COPYRIGHT - By - ALL RIGHTS RESERVED.

|     |      |           |     |                           |         |     |      |
|-----|------|-----------|-----|---------------------------|---------|-----|------|
| LOC | DIST | REVISIONS |     |                           |         |     |      |
| AF  | 50   | P         | LTR | DESCRIPTION               | DATE    | DWN | APVD |
|     |      |           | V   | REVISED PER ECR-12-013445 | 18OCT12 | KH  | PD   |

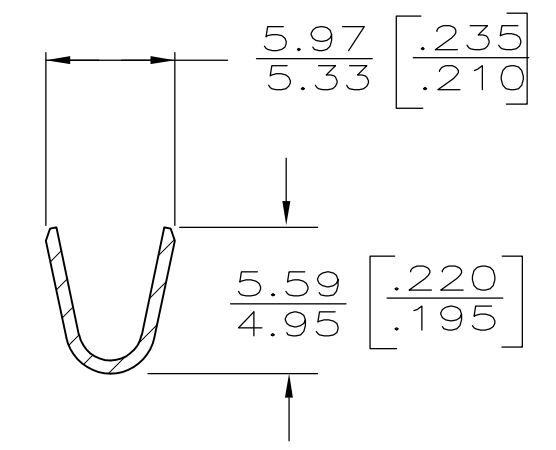
- 1 DIM'S IN BRACKETS ARE IN INCHES.
- 2 CONTINUOUS STRIP ON REELS.



VIEW A-A



SECT B-B



SECT C-C

|                              |                                       |                                      |         |
|------------------------------|---------------------------------------|--------------------------------------|---------|
| 3.05-4.32<br>[.120-.170] DIA | 0.8-2.0mm <sup>2</sup><br>[18-14] AWG | 0.81 <sup>±0.025</sup> [.032] [.001] | 41202   |
| INSUL RANGE                  | WIRE SIZE                             | MATING TAB THK                       | PART NO |

|                    |                |                                  |                   |                |                        |                         |
|--------------------|----------------|----------------------------------|-------------------|----------------|------------------------|-------------------------|
| 0                  | 4.57<br>[.180] | 6.4<br>[.252]                    | F                 | 3.05<br>[.120] | 1.90 [.075]            | 2.0mm <sup>2</sup> [14] |
|                    |                |                                  |                   |                | 1.68 [.066]            | 1.3mm <sup>2</sup> [16] |
|                    |                |                                  |                   |                | 1.55 [.06]             | 0.8mm <sup>2</sup> [18] |
| TYPE               | WIDTH          | STRIP LENGTH<br>±0.38<br>[±.015] | TYPE              | WIDTH          | ±.051[±.002]<br>HEIGHT | WIRE                    |
| INSUL BARREL CRIMP |                |                                  | WIRE BARREL CRIMP |                |                        |                         |

THIS DRAWING IS A CONTROLLED DOCUMENT.

DIMENSIONS: mm [INCHES]

TOLERANCES UNLESS OTHERWISE SPECIFIED:

|        |               |
|--------|---------------|
| 0 PLC  | ± -           |
| 1 PLC  | ± -           |
| 2 PLC  | ± 0.25 [.010] |
| 3 PLC  | ± -           |
| 4 PLC  | ± -           |
| ANGLES | ± -           |
| FINISH | -             |

MATERIAL: BRASS

DWN: JR RUTH 2/7/86  
 CHK: G YETTER 2/7/86  
 APVD: C MEYERS 2/7/86

**STE** TE Connectivity

RECEPTACLE, FASTON, 6.35 [.250] SERIES

SIZE: A3 CAGE CODE: 00779 DRAWING NO: C-41202 RESTRICTED TO: -

CUSTOMER DRAWING SCALE: NTS SHEET: 1 OF 1 REV: V